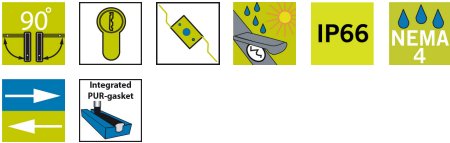


VISION SWING HANDLE RC2



Low profile swing handle used for latching systems with a control mechanism and flat rods. Approved according to the anti-vandal classification RC2. Optional saw protection available for protection beyond RC2 requirements.

It is used with a 40 mm profile cylinder (ordered separately). Equipped with sliding dust cover and sealed IP66.



材质

Dish: Zinc die cast, black coated

把手: Zinc die cast, chrome plated or black coated

Pivot shaft: 锌合金, 镀锌

Dust cover: TPE

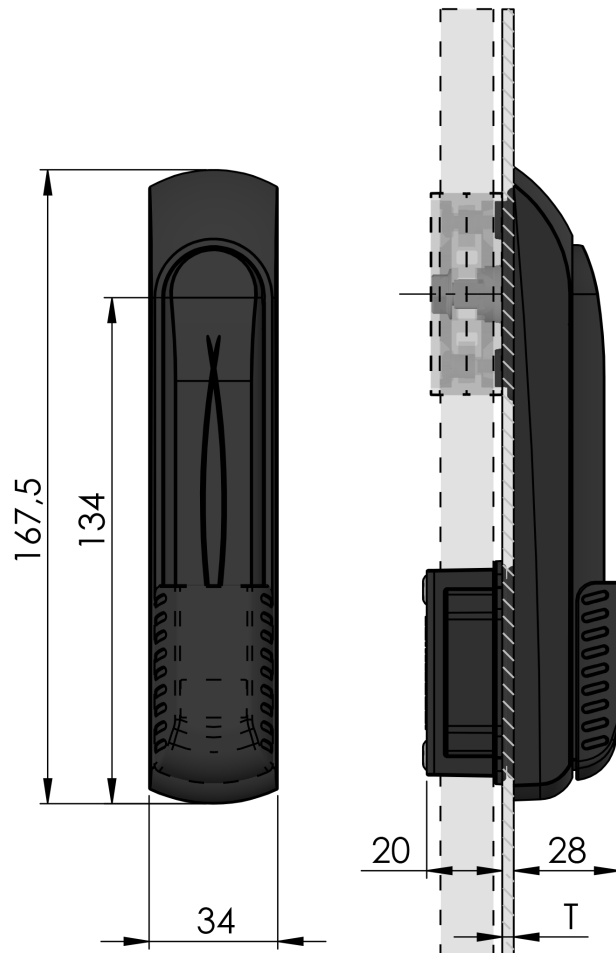
O-ring: NBR

相关产品

Cylinders: 1-210, 1-211

类似产品: 1-004.14

索引编号见网站 industrilas.com



每一栏选择对应的数字创建产品编号 (AAAA-BBCCDE-FF)

AAAA 款式	BB Insert / Cylinder	CC Material / Surface treatment	D Protection degree	E 门厚度	FF Burglar protection
1540 Handle for control mechanism	16 三角形 10	40 Aluminium / Anodized	5 IP66	3 2,6 - 3,5 mm	01 RC2 02 RC2 + saw protection
		12 Zinc die cast / Chrome plated		2 1,6 - 2,5 mm	
				1 0,8 - 1,5 mm	

Version C

